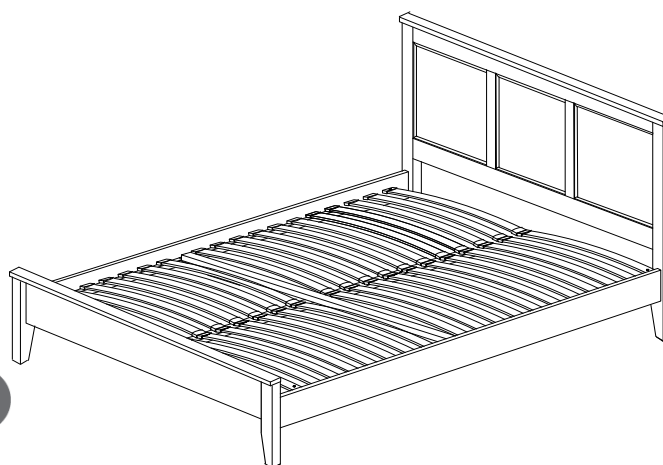


# feather&black

Creating Beautiful Bedrooms

## Chawton Bed - Double, King & Superking

### Assembly Instructions



Minimum No. of people recommended to assemble this product:

2

Approx assembly time:

1/2 hours

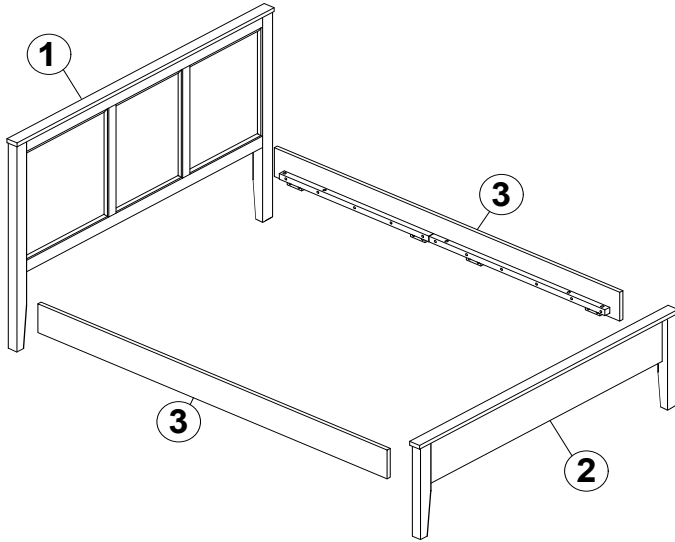
#### **Before you Start, here are some helpful advices.**

1. We suggest you spend a short time reading through this leaflet and then follow the simple step by step instructions.
2. If you follow the instructions carefully the end result should be worth the effort.
3. Do not discard any of the packaging until you have checked that you have all the parts and the pack of fittings.
4. Assemble on a carpet if possible.
5. To ensure an easier assembly, we strongly advise that all fittings are only finger tightened during initial assembly. Only upon completion of the assembly should all fixing points be fully tightened.
6. We recommend a periodic check on all fixing points to make sure they remain fully tightened.
7. Keep glue and fittings out of children's reach.

In the unlikely event of missing parts please call the customer service team on 01243380600.

# PARTS

# Fittings



<b>NO.</b>	<b>PART LIST</b>	<b>QTY</b>
(1)	Headboard	01
(2)	Footboard	01
(3)	Side Rails	02

**A**



**M6x45mm x 4pcs**

**B**



**M6 x 4pcs**

**C**



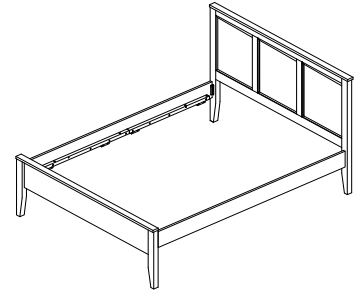
**Allen Key M4 x 2pcs**

**D**

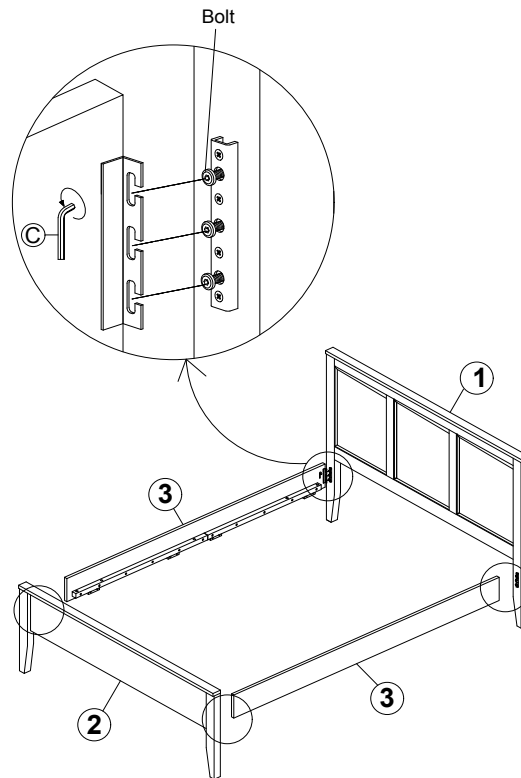


**Metal washer x 4pcs**

# ASSEMBLY

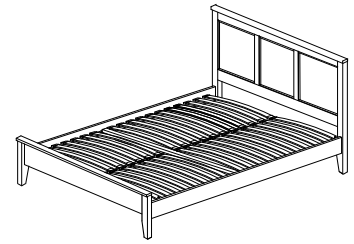


- Use bolt (mounted on the headboard and footboard) to fix the Side Rail (3) onto Headboard (1) and Footboard (2) by using Allen Key (C).



# ASSEMBLY

## SPRUNG SLATS



NOTE: SPRUNG SLATS  
SUPPLY SEPARATELY

(1) Use the bolt to fix support  
leg onto the slat frame.

Please note that these bolts  
are to be found inside the slat  
frame box.

(2) Carefully locate the slats  
onto the unit.

(3) Use bolt (A) and JCN nut  
(B) to fix the unit using Allen  
Key (C).

